

AMENDMENT OF SOLICITATION/MODIFICATION OF CONTRACT			1. CONTRACT ID CODE	PAGE OF PAGES	
			J	1	2
2. AMENDMENT/MODIFICATION NO. 0001	3. EFFECTIVE DATE 20-May-2021	4. REQUISITION/PURCHASE REQ. NO.		5. PROJECT NO.(If applicable)	
6. ISSUED BY COMNAVFACSYSCOM ATLANTIC 9324 VIRGINIA AVE. BUILDING Z-140 NORFOLK VA 23511	CODE N40085	7. ADMINISTERED BY (If other than item 6)		CODE	
		See Item 6			
8. NAME AND ADDRESS OF CONTRACTOR (No., Street, County, State and Zip Code)			X	9A. AMENDMENT OF SOLICITATION NO. N4008521R2524	
			X	9B. DATED (SEE ITEM 11) 05-May-2021	
				10A. MOD. OF CONTRACT/ORDER NO.	
				10B. DATED (SEE ITEM 13)	
CODE	FACILITY CODE				
11. THIS ITEM ONLY APPLIES TO AMENDMENTS OF SOLICITATIONS					
<input checked="" type="checkbox"/> The above numbered solicitation is amended as set forth in Item 14. The hour and date specified for receipt of Offer <input checked="" type="checkbox"/> is extended, <input type="checkbox"/> is not extended. Offer must acknowledge receipt of this amendment prior to the hour and date specified in the solicitation or as amended by one of the following methods: (a) By completing Items 8 and 15, and returning <u>1</u> copies of the amendment; (b) By acknowledging receipt of this amendment on each copy of the offer submitted; or (c) By separate letter or telegram which includes a reference to the solicitation and amendment numbers. FAILURE OF YOUR ACKNOWLEDGMENT TO BE RECEIVED AT THE PLACE DESIGNATED FOR THE RECEIPT OF OFFERS PRIOR TO THE HOUR AND DATE SPECIFIED MAY RESULT IN REJECTION OF YOUR OFFER. If by virtue of this amendment you desire to change an offer already submitted, such change may be made by telegram or letter, provided each telegram or letter makes reference to the solicitation and this amendment, and is received prior to the opening hour and date specified.					
12. ACCOUNTING AND APPROPRIATION DATA (If required)					
13. THIS ITEM APPLIES ONLY TO MODIFICATIONS OF CONTRACT ORDERS. IT MODIFIES THE CONTRACT/ORDER NO. AS DESCRIBED IN ITEM 14.					
A. THIS CHANGE ORDER IS ISSUED PURSUANT TO: (Specify authority) THE CHANGES SET FORTH IN ITEM 14 ARE MADE IN THE CONTRACT ORDER NO. IN ITEM 10A.					
B. THE ABOVE NUMBERED CONTRACT/ORDER IS MODIFIED TO REFLECT THE ADMINISTRATIVE CHANGES (such as changes in paying office, appropriation date, etc.) SET FORTH IN ITEM 14, PURSUANT TO THE AUTHORITY OF FAR 43.103(B).					
C. THIS SUPPLEMENTAL AGREEMENT IS ENTERED INTO PURSUANT TO AUTHORITY OF:					
D. OTHER (Specify type of modification and authority)					
E. IMPORTANT: Contractor <input type="checkbox"/> is not, <input type="checkbox"/> is required to sign this document and return _____ copies to the issuing office.					
14. DESCRIPTION OF AMENDMENT/MODIFICATION (Organized by UCF section headings, including solicitation/contract subject matter where feasible.) Add additional drawings and extend due date of proposals from 08 June 2021 to 22 June 2021. All other conditions remain unchanged.					
Except as provided herein, all terms and conditions of the document referenced in Item 9A or 10A, as heretofore changed, remains unchanged and in full force and effect.					
15A. NAME AND TITLE OF SIGNER (Type or print)			16A. NAME AND TITLE OF CONTRACTING OFFICER (Type or print)		
			TEL:	EMAIL:	
15B. CONTRACTOR/OFFEROR	15C. DATE SIGNED	16B. UNITED STATES OF AMERICA		16C. DATE SIGNED	
_____ (Signature of person authorized to sign)		BY _____ (Signature of Contracting Officer)		20-May-2021	

SECTION SF 30 BLOCK 14 CONTINUATION PAGE

SUMMARY OF CHANGES

(End of Summary of Changes)

CONTINUATION SHEET

SECTION 00 01 15 LIST OF DRAWINGS

Add the following Interim MCMH Facility drawings to the list of drawings:

NAVFAC DWG NO.	Sheet No.	Title
60016694	G-001	Cover Sheet
60016695	LS-1	Life Safety Plan and Code Summary
60016696	FA-1	Fire Alarm Plan and Details
60016697	FP-1	Fire Protection Plan and Details
60016698	CD-101	Existing Conditions and Demolition Plan
60016699	CS-101	Site Layout and Utility Plan
60016700	CG-101	Site Grading & Erosion Control Plan
60016701	CU-301	Water Main Profile
60016702	CS-501	Details
60016703	CG-501	Details
60016704	CU-501	Details
60016705	S-1	Typical Details, General Notes, & Sections
60016706	S-2	Foundation Plan
60016707	A-1	Floor Plan
60016708	A-2	Reflected Ceiling Plan
60016709	A-3	Roof Plan
60016710	A-4	Enlarged Plans & Interior Elevations
60016711	A-5	Building Elevations
60016712	A-6	Building Sections
60016713	A-7	Deck Framing & Stair Details
60016714	A-8	Schedules
60016715	E-1	Electrical Symbols & Schedules
60016716	E-2	Electrical Floor Plan - Lighting
60016717	E-3	Electrical Floor Plan - Power
60016718	E-4	Electrical Site Plan
60016719	E-5	Electrical Details
60016720	E-6	Electrical Lighting Fixture Details

These new drawings accompany this modification.

Replace the following drawing with new drawing dated 9 April 2021:

NAVFAC DWG NO.	Sheet No.	Title
12760713	MP501	Piping Details

New drawing accompanies this modification.

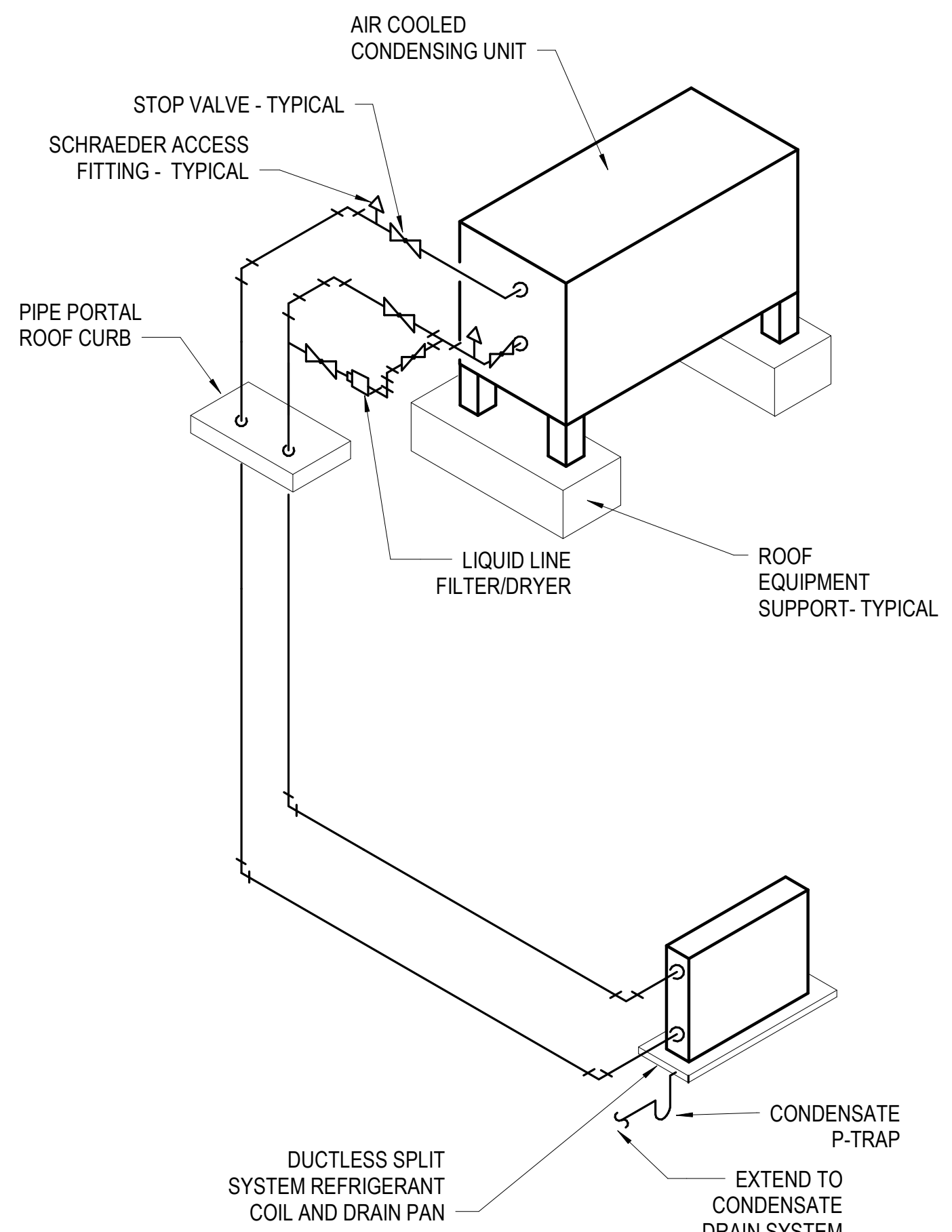
SPECIFICATIONS

Replace section 02 41 00 paragraph 1.2.2 with the following:

1.2.2 Demolition Work

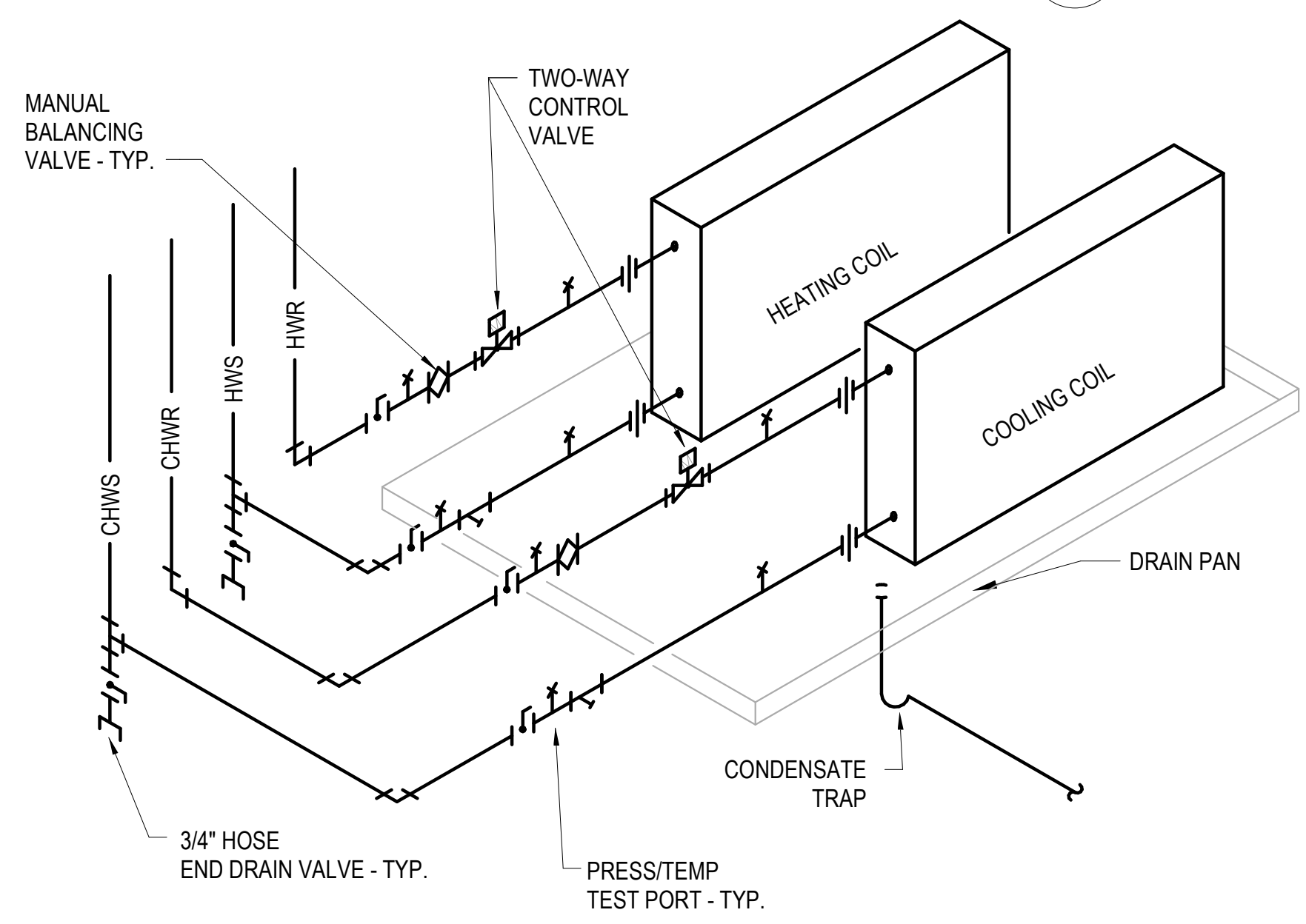
Scope of the demolition work, in addition to requirements specified herein, is indicated on the Demolition Drawings including, but not limited to, demolition of the existing Interim MCMH Facility and associated site work as indicated on NAVFAC Drawing numbers 60016694 through 60016720.

-- End of Modification --



DUCTLESS SPLIT REFRIGERANT PIPING SYSTEM
SCALE: NOT TO SCALE

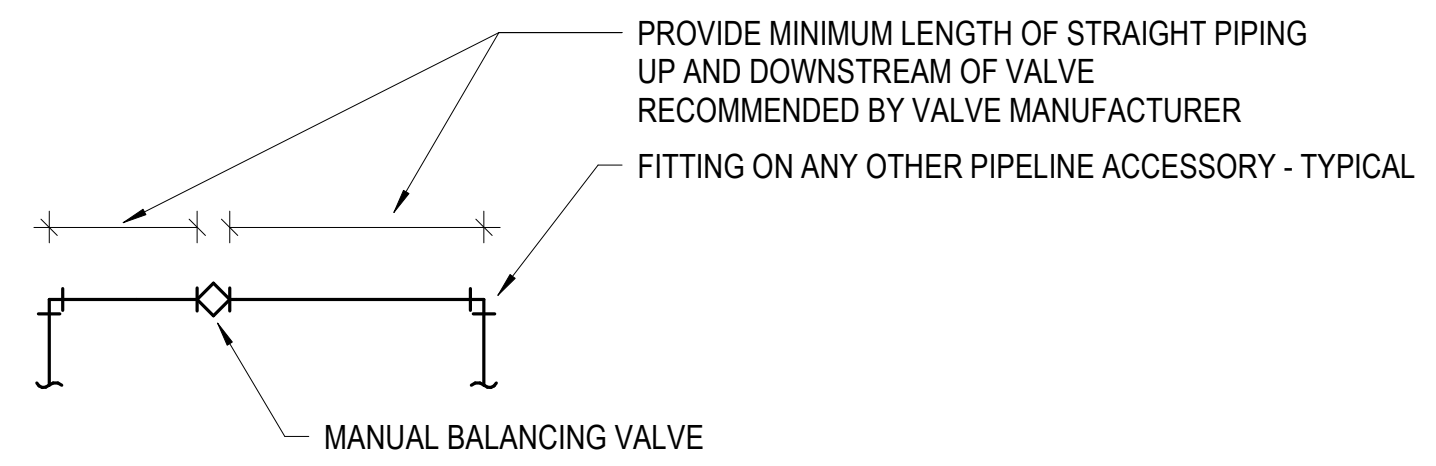
B2



- NOTES:**
1. LOCATE ALL VALVING WITHIN CABINET. ALL CHWS/CHWR VALVING SHALL BE OVER DRAIN PAN.
 2. DELETE HEATING COIL REQUIREMENTS FOR COOLING-ONLY FAN COIL UNITS.

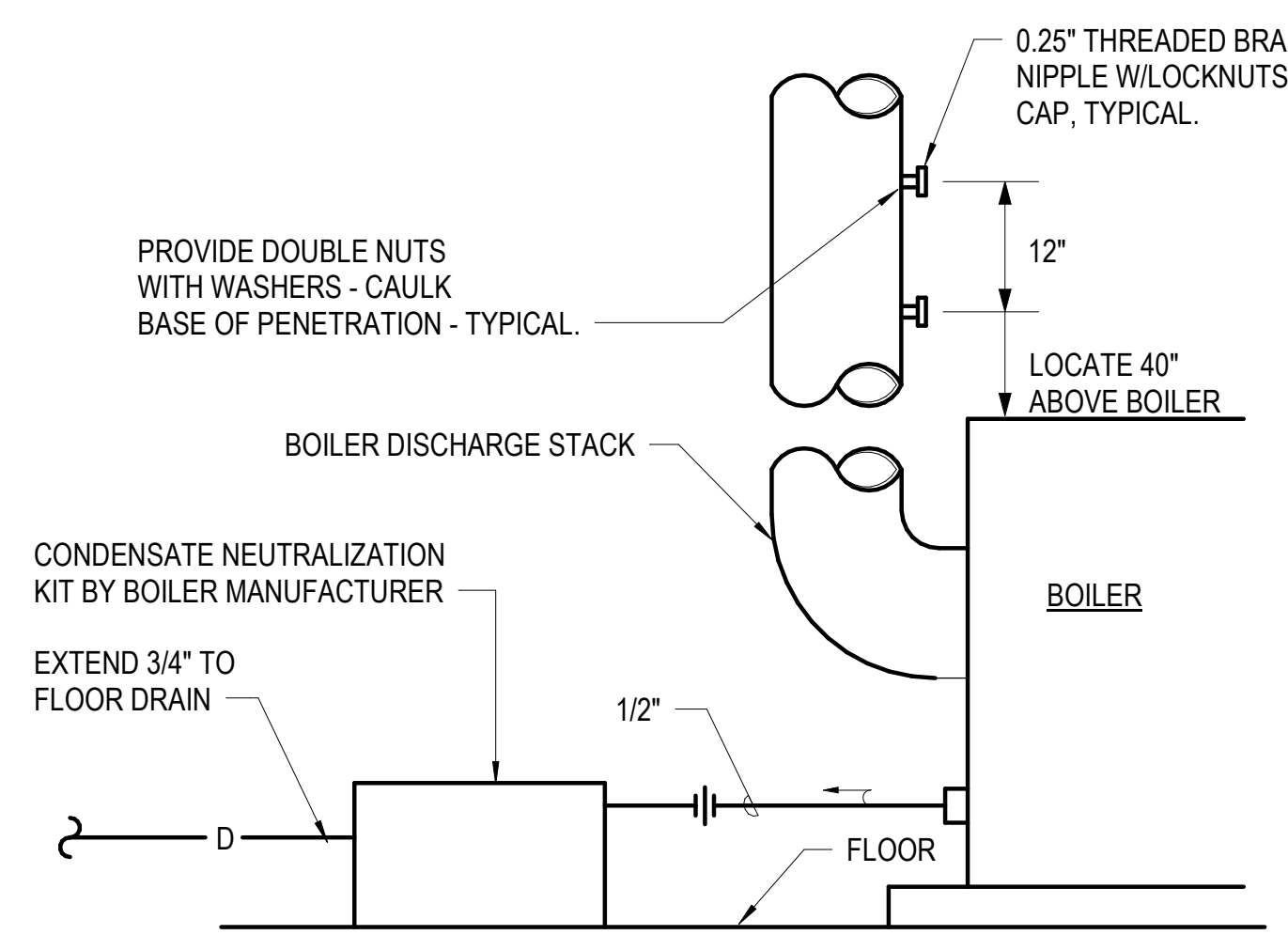
FAN COIL UNIT PIPING DIAGRAM - HTG. AND CLG.
SCALE: NOT TO SCALE

A2



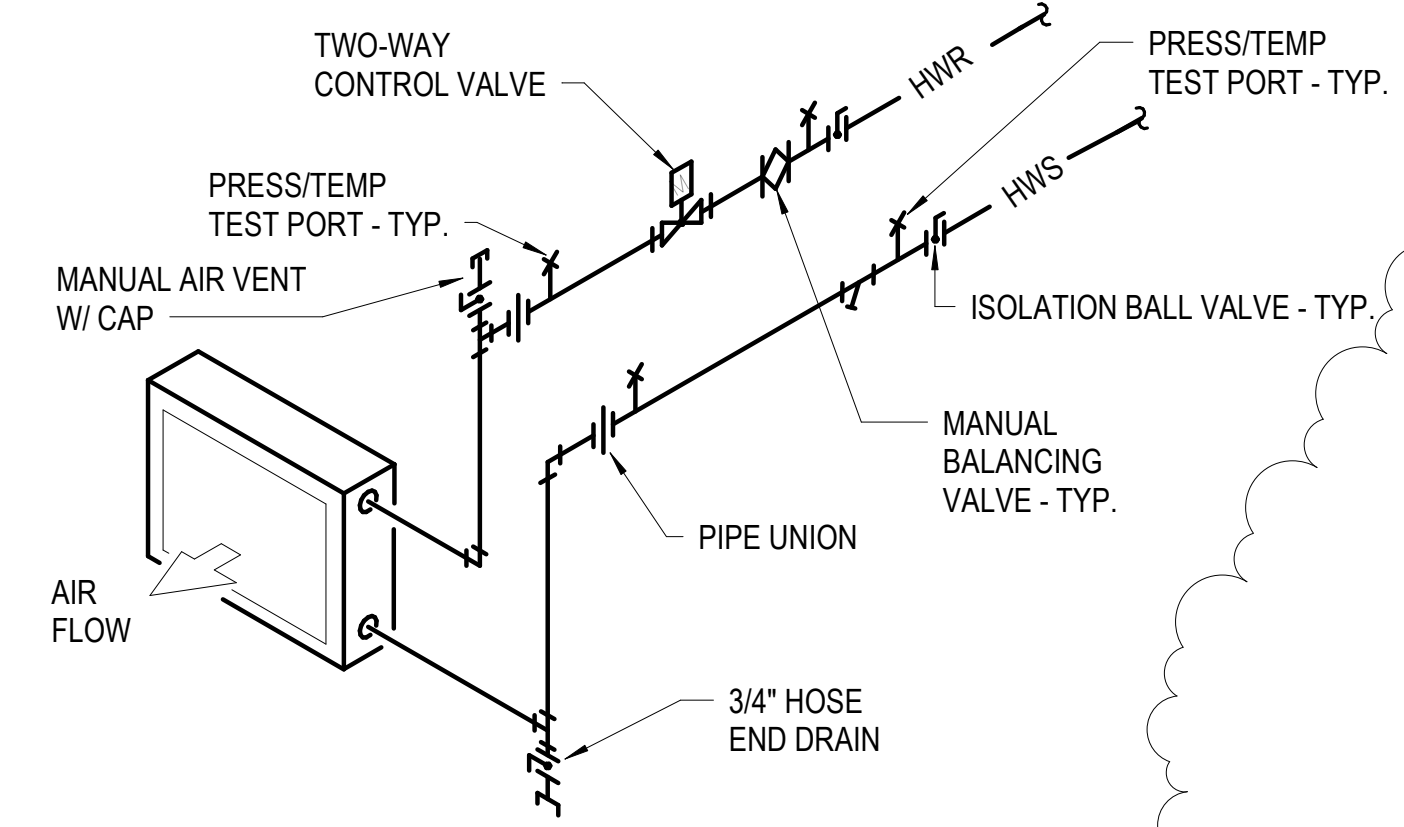
MANUAL BALANCING VALVE
SCALE: NOT TO SCALE

D3



BOILER AND WATER HEATER STACK
SCALE: NOT TO SCALE

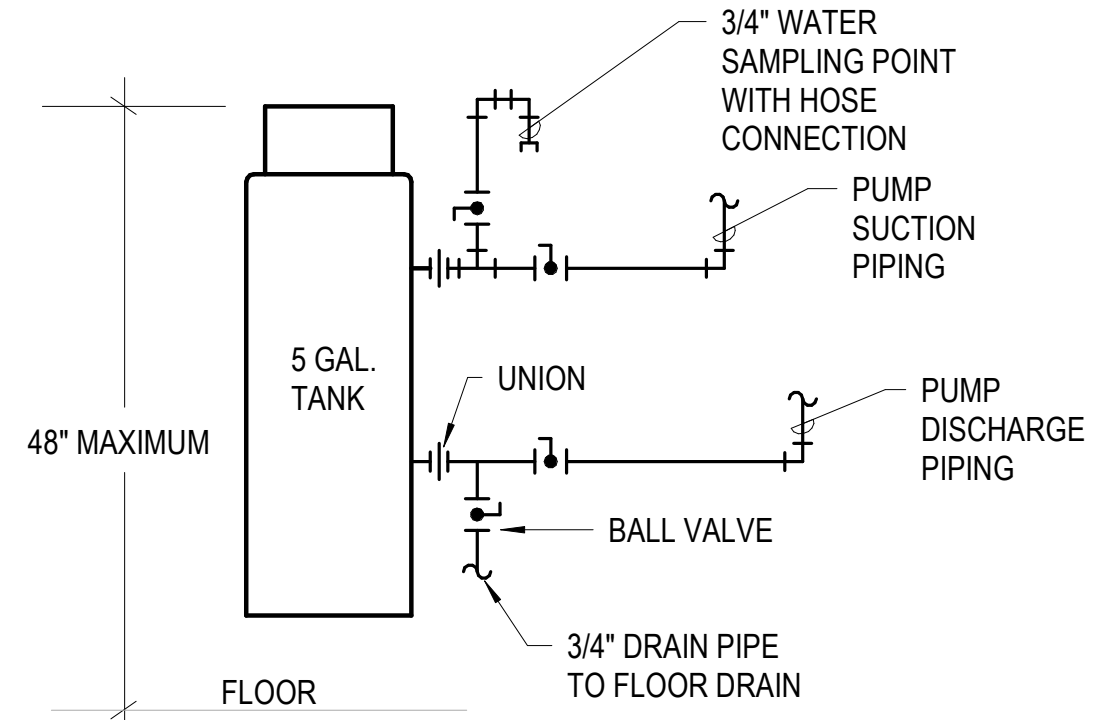
B4



- NOTES:**
1. PROVIDE FOR ALL AIR TERMINAL VALVES RE-HEAT COILS.
 2. INSTALL PIPING TO ALLOW EQUIPMENT WITH A MINIMUM DISRUPTION OF PIPING.

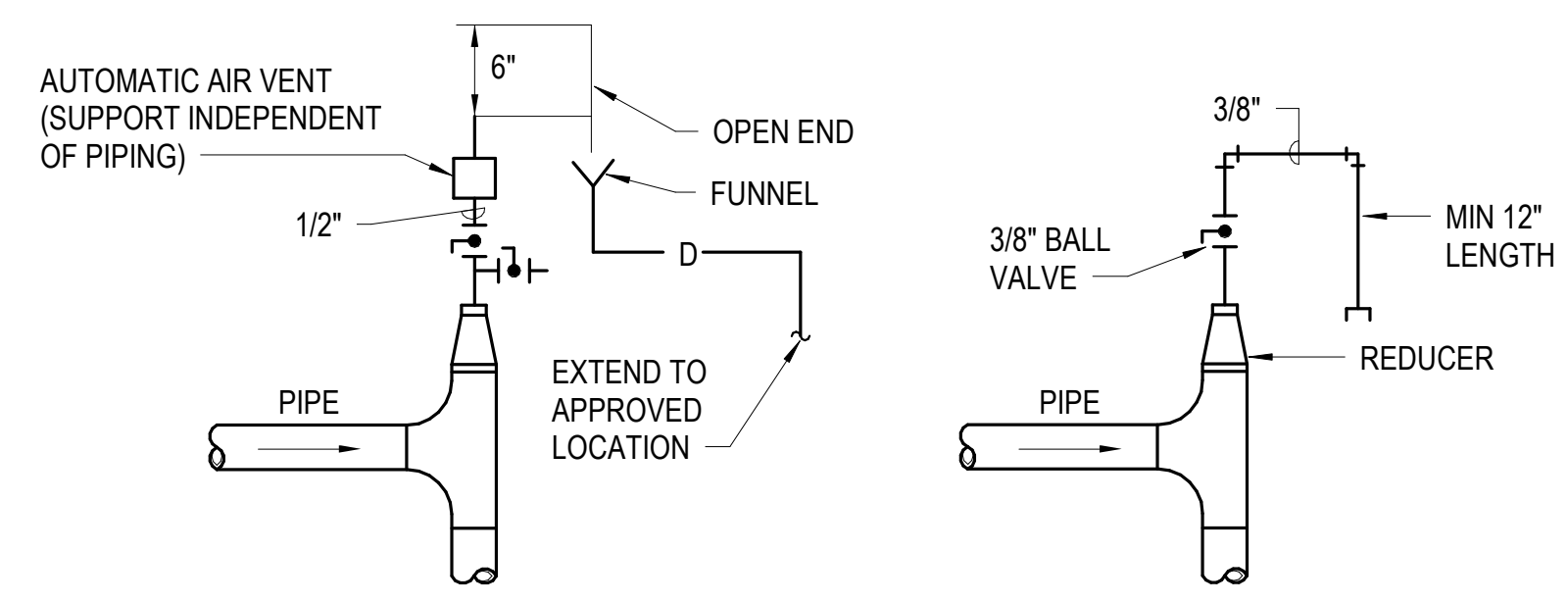
REHEAT COIL PIPING
SCALE: NOT TO SCALE

A3



CHEMICAL SHOT FEEDER
SCALE: NOT TO SCALE

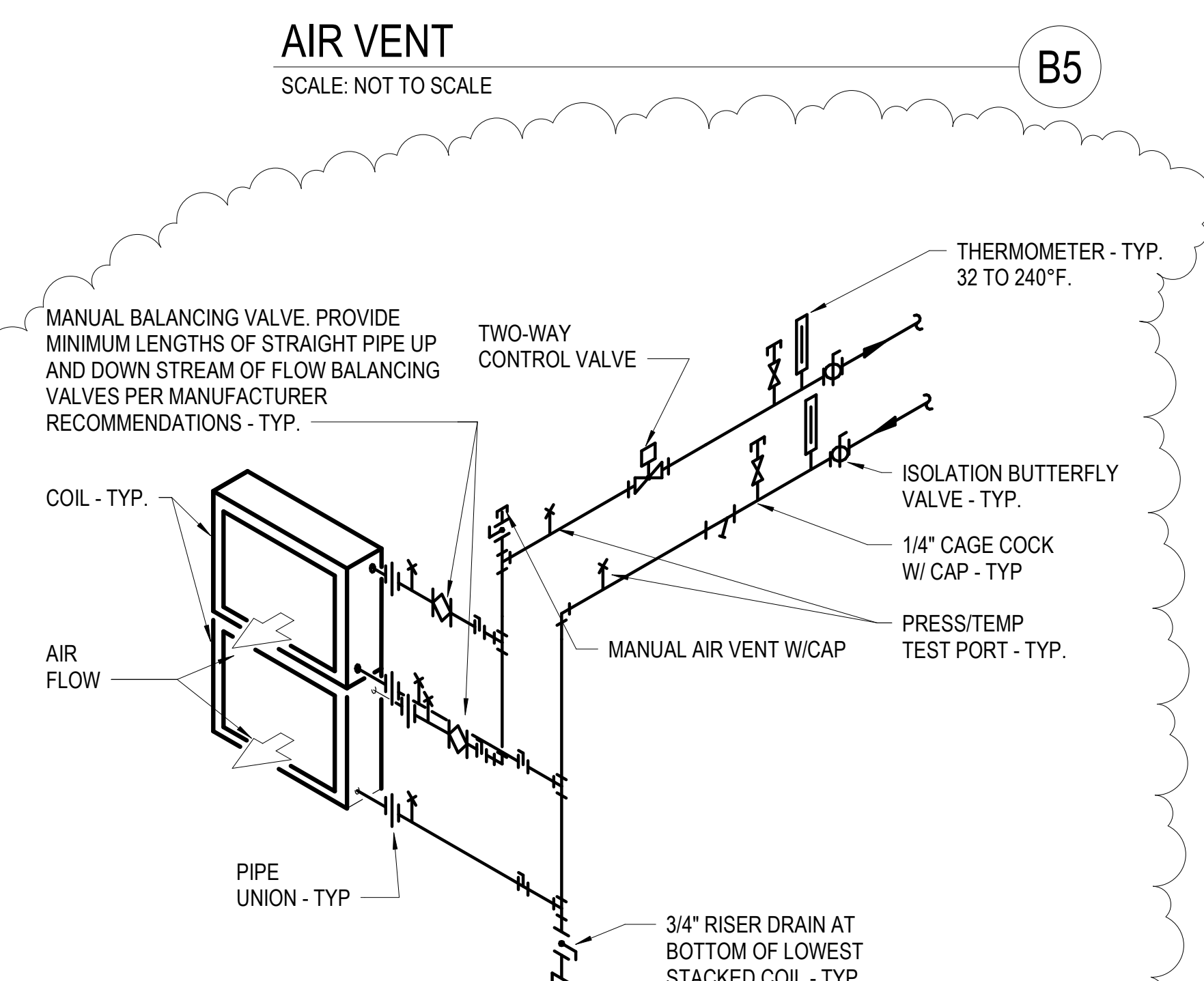
D5



AIR VENT
SCALE: NOT TO SCALE

B5

NOTE:
FOR AIR TERMINAL UNIT REHEAT COIL CONNECTIONS TERMINATE DRAIN A MINIMUM OF 12" ABOVE CEILING FOR MAINTENANCE ACCESS.



- NOTES:**
1. INSTALL PIPING TO ALLOW REMOVAL OF COIL FROM UNIT WITH MINIMUM DISRUPTION OF PIPING.
 2. PIPE SUPPLY/RETURN IN COUNTERFLOW CONFIGURATION TO AIRFLOW.
 3. PROVIDE SHUTOFF VALVES, BALANCING VALVES, AND PRESS/TEMP TEST PORTS FOR EACH AHU CHILLED WATER COIL AND HOT WATER COIL.

AHU COIL DIAGRAM W/ 2-WAY VALVE
SCALE: NOT TO SCALE

A5

NOTE:
IF THIS DRAWING IS LESS THAN 34" X 22" IT IS A REDUCED SIZE DRAWING

FOR OFFICIAL USE ONLY

04/09/21	DATE	APPR
Amendment 0001	DESCRIPTION	
APPROVED FOR COMMANDER NAVFAC ACTIVITY Approved by JOAINE KRAUSE, Director of Medical Facilities Program Office, via Email SATISFACTORY TO DATE 11/18/20 DES BEF DRW LMN CHK JAA PMDM JGG / RSF BRANCH MANAGER ALG CHIEF ENGINEER EJA FP ENGINEER		
DEPARTMENT OF THE NAVY NAVAL FACILITIES ENGINEERING COMMAND NAVAL FACILITIES ENGINEERING COMMAND, ATLANTIC 352 VIRGINIA AVENUE NORFOLK, VIRGINIA 23511 JACKSONVILLE, NC MARINE CORPS BASE CAMP LEJEUNE FRENCH CREEK AMBULATORY CARE CLINIC ADDITION / ALTERATION PIPING DETAILS		
SCALE: As indicated	EPROJCT NO.: 1430035	
CONSTR CONTR. NO.: TBD		
NAVFAC DRAWING NO.: 12760713		
SHEET 295 OF 378		
MP501		

BIA 2021/02/20 - Naval Clinic Replacement from Case#04040102-1430035-0001
 4/10/2021 12:35:52 PM